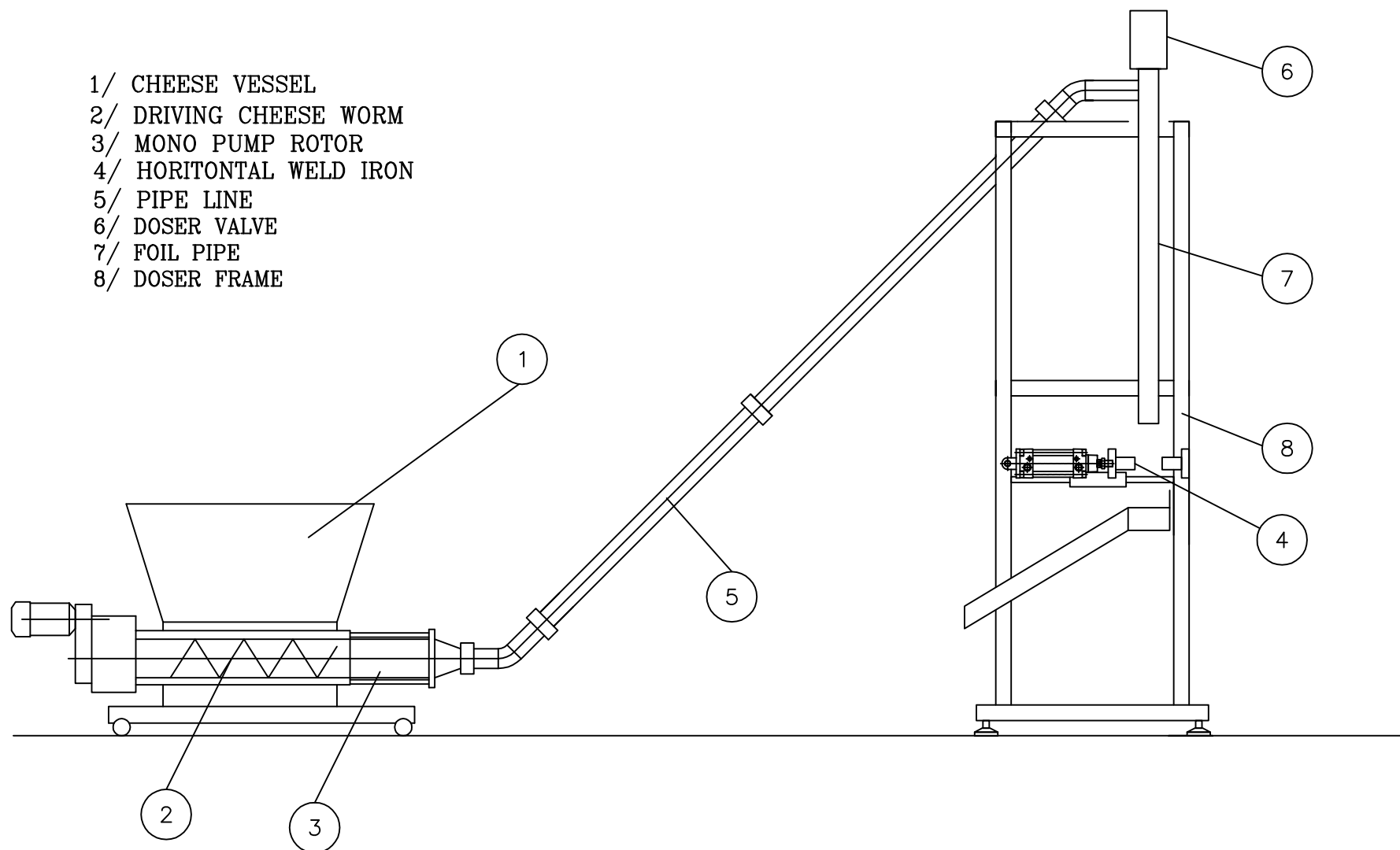



- 1/ CHEESE VESSEL
- 2/ DRIVING CHEESE WORM
- 3/ MONO PUMP ROTOR
- 4/ HORIZONTAL WELD IRON
- 5/ PIPE LINE
- 6/ DOSER VALVE
- 7/ FOIL PIPE
- 8/ DOSER FRAME



| | | |
|--------------------------------------------------------------------------------------------------------------------------|---------------------|---------------------------------------------------------------------------------|
|  PAK PROMET KRAGUJEVAC | KLIJENT CUSTOMER | UGOVOR – ORDER |
| | NAZIV TITLE | DOSER FOR CHEESE INTO POLYPAK BAGS –SIDE WIEV– |